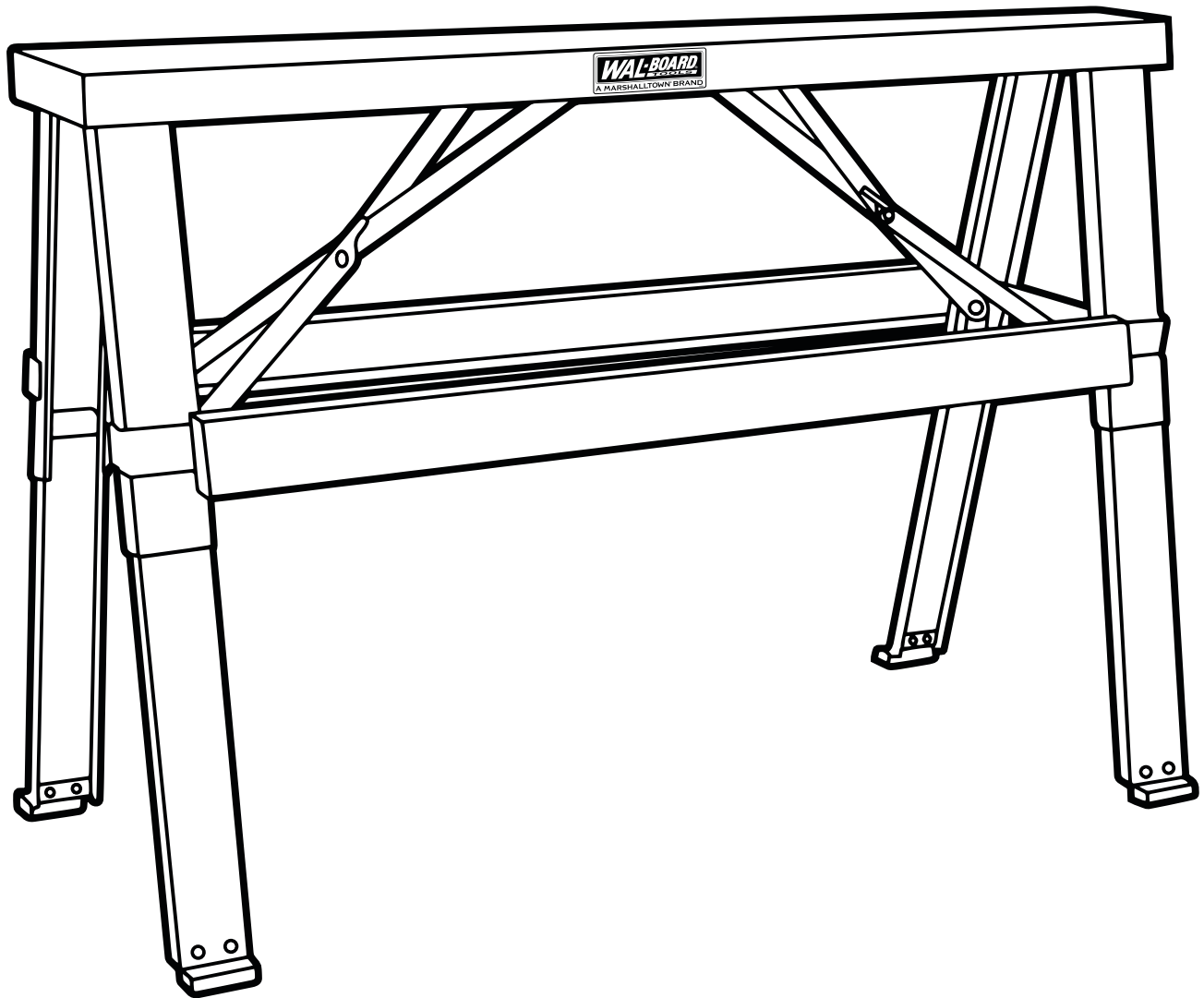




A MARSHALLTOWN® BRAND

ALUMINUM FOLDING BENCH & ACCESSORIES

W-1832 | EDI: 40121



ASSEMBLY & OPERATING INSTRUCTIONS

WAL-BOARD® Aluminum Folding Bench is a precision crafted instrument designed for the drywall professional to aid in high ceiling and wall applications.

PLEASE REVIEW AND STUDY THE FOLLOWING INFORMATION AS EACH OPERATOR IS RESPONSIBLE FOR THEIR OWN SAFETY.

WARNING: The WAL-BOARD® Aluminum Folding Bench is constructed of heavy-duty aluminum alloy and will conduct electricity. Use caution when working around electrical sources as electric shock may occur.

**MAXIMUM LOAD CAPACITY IS 400 LBS. (181 kg.)
DO NOT EXCEED!**

WAL-BOARD® ALUMINUM FOLDING BENCH

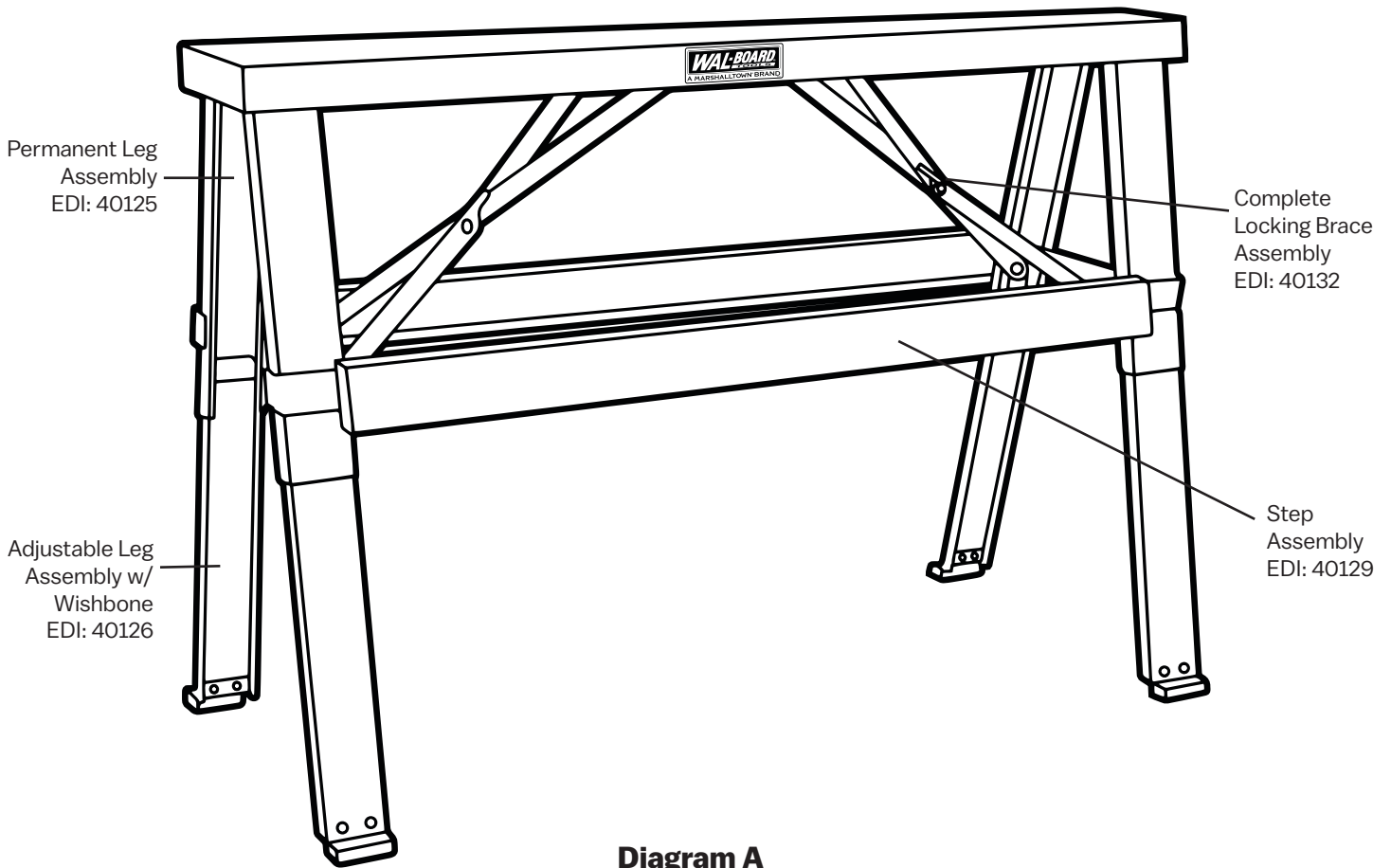


Diagram A

PARTS LIST

EDI	DESCRIPTION	EDI	DESCRIPTION
40125	Permanent Leg Assembly	40128	Rubber Foot
40126	Adjustable Leg Assembly With Wishbone Spring	40129	Step Assembly
40127	Assembled Foot	40130	Wishbone Spring Assembly
		40132	Complete Locking Brace Assembly

READ ALL INSTRUCTIONS CAREFULLY BEFORE USING BENCH

Always inspect your WAL-BOARD® Aluminum Folding Bench prior to each use. Check all components to ensure that all parts are in proper working order. **DO NOT MODIFY THIS PRODUCT IN ANY MANNER.** If any parts are missing or damaged, do not attempt to use the bench. **Never repair damaged bench without written permission from WAL-BOARD® TOOLS. USE ONLY GENUINE WAL-BOARD® REPLACEMENT PARTS.**

THE FASTENERS USED ON THE WAL-BOARD® BENCH, EXTENSION LEGS AND STEP-UP ARE NOT STANDARD HARDWARE PRODUCTS. USE ONLY GENUINE WAL-BOARD® REPLACEMENT PARTS.

As you proceed through the following steps, please note that to tighten means to have the fastener make contact with the mating surface and to turn the fastener no more than 30° (approximately 1/3 of the fastener circumference) past the contact point. Always hand tighten the fasteners. Do not use a screw gun to tighten. **NEVER EXCESSIVELY TIGHTEN FASTENERS.**

GENERAL INFORMATION

The following steps are designed to help you become familiar with the WAL-BOARD® Aluminum Folding Bench. If at any time you do not understand the instructions, contact WAL-BOARD® TOOLS for assistance.

CAUTION: In preparation for each day's use, please check the following:

- Always inspect the bench thoroughly for damage, corrosion and excessive wear.
- The top of the bench must be level when in use. Do not use the bench if the top is not level.
- Check all bolts and nuts to ensure all are securely fastened. The WAL-BOARD® Aluminum Folding Bench is assembled with bushings at all moveable joints. No oiling is necessary. Keep all nuts tight. Please note that to tighten means to have the fastener make contact with the mating surface and to turn the fastener no more than 30° (approximately 1/3 of the fastener circumference) past the contact point. Always hand tighten the fasteners. Do not use a screw gun to tighten. NEVER EXCESSIVELY TIGHTEN FASTENERS.
- The WAL-BOARD® Aluminum Folding Bench is equipped with rubber sole pads on each leg. These rubber sole pads should be securely fastened to the bottom of each leg.

STEP 1: Inspecting your WAL-BOARD® Aluminum Folding Bench

Remove the WAL-BOARD® Aluminum Folding Bench from the shipping carton by opening one of the end flaps of the box. Lay the box flat on the floor, making sure that the metal top of the bench (flat side) is against the floor. Pull straight out.

Become familiar with the parts of your WAL-BOARD® Aluminum Folding Bench (Diagram A).

WARNING: Keep hands and fingers clear of moving components and pinch points when erecting, folding or using the WAL-BOARD® Aluminum Folding Bench.

STEP 2: Setting up your WAL-BOARD® Aluminum Folding Bench

Locate the holding clips on the Locking Brace Assembly (EDI: 40132). Move the holding clips toward the end of the bench to release the leg frames and unfold the unit. Move the Locking Brace Assembly into position and snap into place, being sure both pivot points are past center.

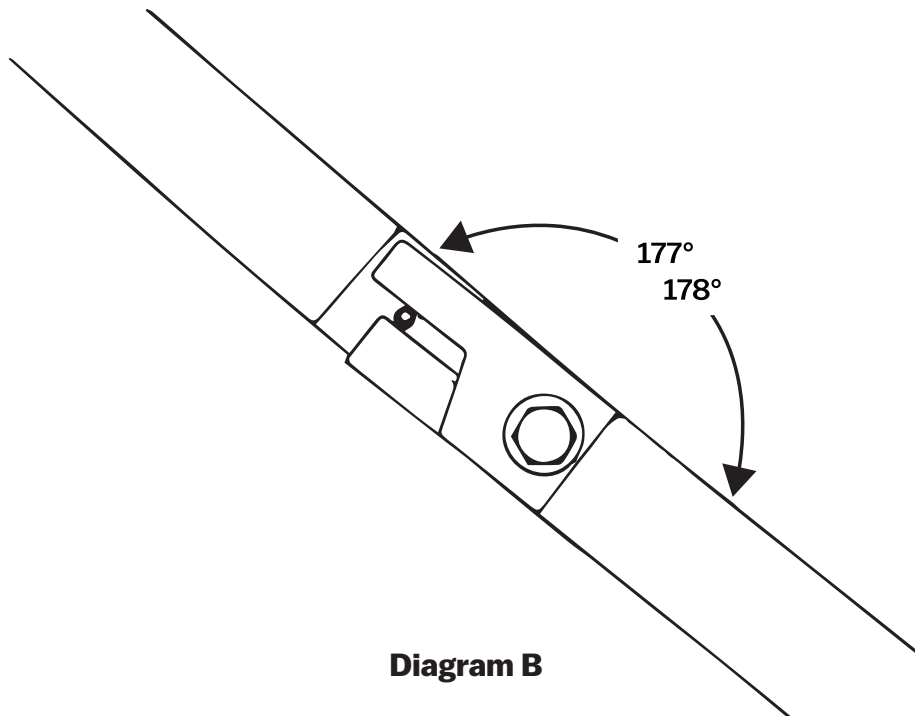


Diagram B

WARNING: The Locking Brace Assembly pivot point must be past center to hold leg frame in the locked position. Always check the Locking Brace Assembly on both sides of the bench prior to use.

STEP 3: Adjusting the height

The WAL-BOARD® Aluminum Folding Bench is shipped with the Adjustable Leg Assemblies With Wishbone Spring (EDI: 40126) at the lowest position. With the metal top of the bench still against the floor, adjust the legs to desired height by squeezing the wishbone and pulling each leg to desired height. Be sure the wishbone locks in place (Diagram C). The legs will adjust separately every 2" (51 mm) from the lowest position of 18" (457 mm) to the highest position of 30" (762 mm).

Repeat for remaining legs, making sure all four (4) legs are positioned with the wishbone locked at same height.

CROSS SECTION WISHBONE SPRING ASSEMBLY

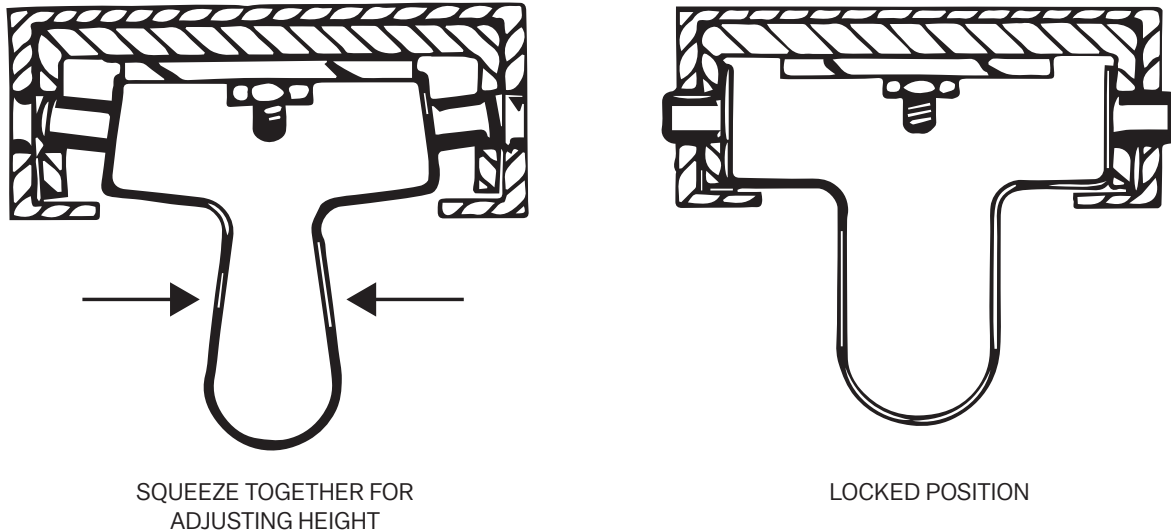


Diagram C

STEP 4: Using the Bench

On a solid, level floor that is free of debris, turn bench upright. Be sure all legs are the same height and the rubber foot on each leg is firmly planted against the floor. The WAL-BOARD® Aluminum Folding Bench is now ready to use. **Note: Never drag the bench. Always remember to check the Locking Brace Assembly before each use to make sure it is properly locked.**

The WAL-BOARD® Aluminum Folding Bench is equipped with a Step Assembly (EDI: 40129) on each side to assist the user in stepping onto the top of the bench. ALWAYS center your weight over the bench. Do not lean.

The bench top is serrated to help provide traction. Always keep the serrations clean.

ADDITIONAL BENCH ATTACHMENTS (SOLD SEPARATELY)

EXTENSION LEGS 34" - 44" (864-1118 mm)

EDI: 40122

Note: If using the Extension Legs call WAL-BOARD® Tool Co., Inc. for assembly instructions.

WAL-BOARD® TOOLS

www.wallboardtoolco.com

MARSHALLTOWN, IA USA

800-888-0127

WS3646revB